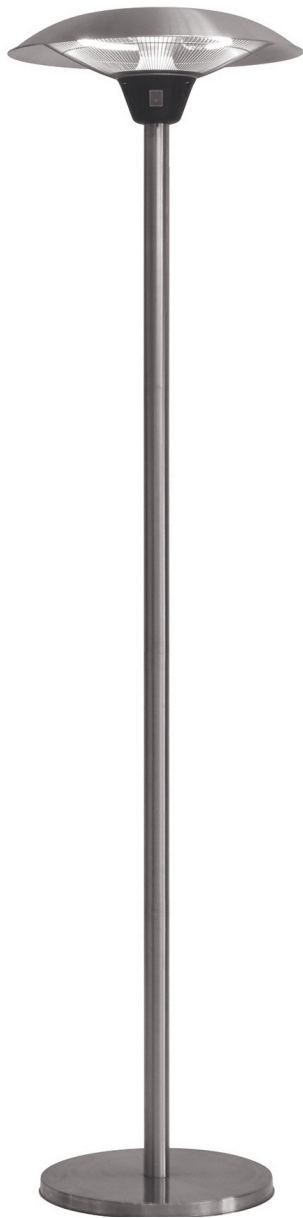


Comfort, Quality & Style Since 1998



Electric Halogen Patio Heater

Item#: 62218 / 62219 / 62220



WARNING

FOR YOUR SAFETY

1. Improper installation, adjustment, alteration, service or maintenance can cause injury or property damage.
2. Read the installation, operation, and maintenance instructions thoroughly before installing or servicing this equipment.
3. Failure to follow these instructions could result in fire or explosion, which could cause property damage, personal injury, or death.

**UNIT MUST BE ON A
DEDICATED ELECTRICAL
CIRCUIT.**

**PLEASE READ THESE
INSTRUCTIONS CAREFULLY
BEFORE USING YOUR
NEW HEATER.**



ATTACH YOUR RECEIPT HERE

Keep a copy of your proof of purchase or order confirmation which will be needed if you need to contact us about warranty coverage.

Purchase Date: _____



Questions, problems, missing parts?

Before returning to your retailer, our exceptional customer service is available.

Call us toll-free at **(866) 985-7877 9 a.m. – 6 p.m., EST, Monday – Friday**, email us at **cservice@welltraveled.net**, or go online and live chat at **www.wtliving.com**.

TABLE OF CONTENTS

Table of Contents, Before You Begin, Safety Information	Page 2
Assembly	Page 3-4
Operation	Page 5
Care and Maintenance	Page 6
Warranty Information	Page 7



BEFORE YOU BEGIN

Please read and understand this entire manual before attempting to assemble, operate or install this appliance. If you have any questions regarding the product, please call us toll-free at **(866) 985-7877 9 a.m. – 6 p.m., EST, Monday – Friday**, email us at cservice@welltraveled.net, or go online and live chat at www.wtliving.com.

This manual contains important information about the assembly, operation and maintenance of this appliance. General safety information is presented in the first few pages and is also located throughout this manual. Keep this manual for future reference and to educate new users of this appliance.



SAFETY INFORMATION

WARNING

To Reduce the Risk of Fire

1. Do not place any objects such as furniture, papers, clothes and curtains closer than 3 feet to the front of the heater and keep them away from the sides and rear when the heater is plugged in.
2. Do not place the heater near a bed because objects such as pillows or blankets can fall off the bed and be ignited by the heater.
3. Always unplug the heater if it is not being used.
4. Avoid the use of an extension cord because the extension cord may overheat and cause a risk of fire. However, if you have to use an extension cord, the cord should be N014 AWG minimum size and rated not less than 1875 watts.

WARNING

This product contains a chemical known to the State of California to cause cancer, birth defects, or other reproductive harm.

CAUTION Risk of Fire

Keep combustible materials such as furniture, papers, clothes and curtains at least 0.91m/3ft from the front of the heater, and away from the sides and rear. Attach base before using.

CAUTION Risk of Electric Shock – Do not open.

No user – serviceable parts inside.



PREPARATION

Before beginning assembly, be sure to empty contents of carton and make sure all parts are present. If any parts are missing, please contact Customer Service at (866)-985-7877, Monday-Friday, 9 a.m. - 6 p.m. EST or email at cservice@welltraveled.net.

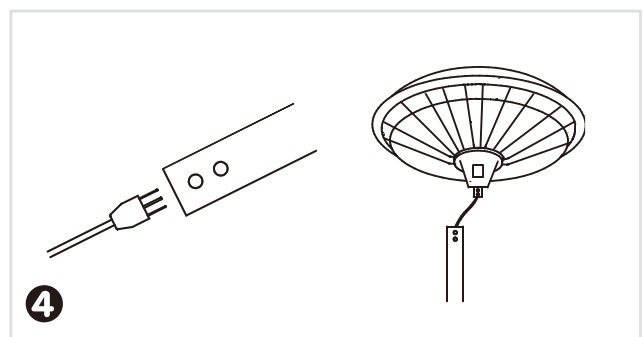
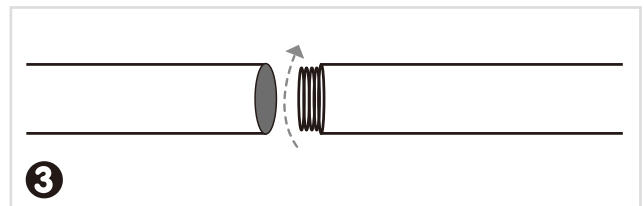
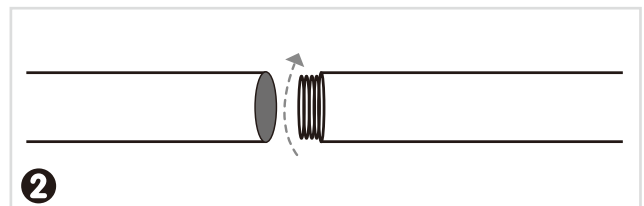
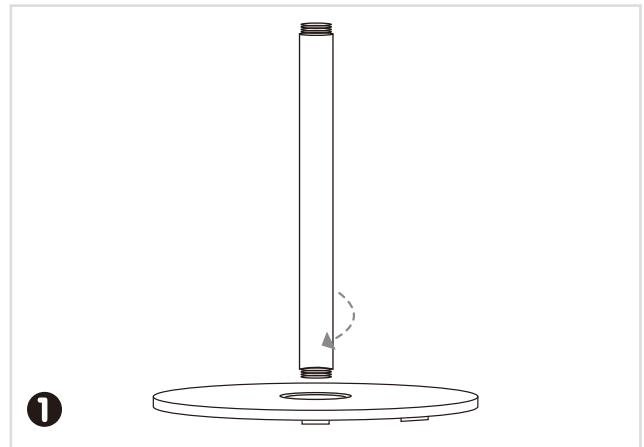
Place all parts on a soft, level surface for assembly. To properly assemble this heater, you need the supplied assembly wrench (or use your own). **DO NOT** over tighten hardware!

1 Connect the **Bottom Tube** (No. 4) with **Base** by screwing them together.

2 Connect two **Middle Tubes** (No.2 and No.3) with **Bottom Tube** (No. 4) by screwing them together.

3 Connect the **Top Tube** (No. 1) with **Middle Tube** (No.2) by screwing them together.

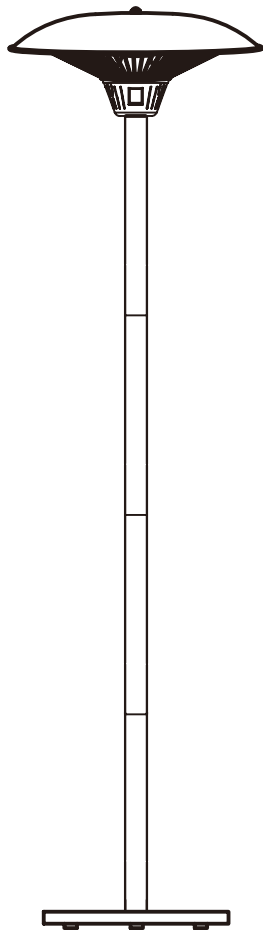
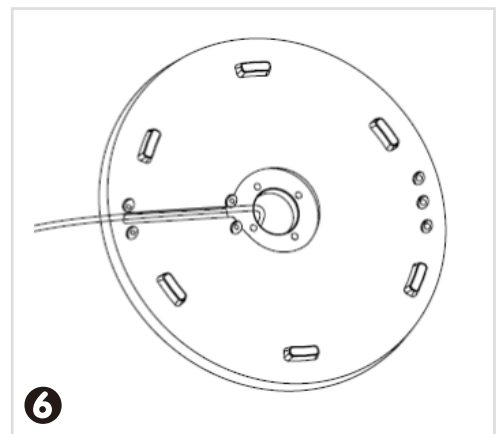
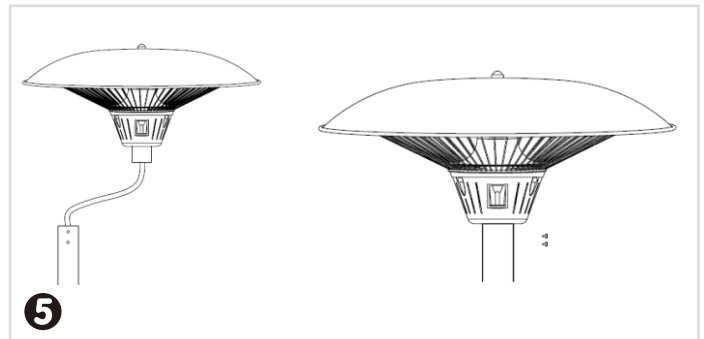
4 Place the power plug through the **Top Pole, Middle Pole and Bottom Pole**. Pull the power cord through the bottom of the **Base** as far as it will go.



5 Push the **Heater Head** onto the **Top Tube** and fix in position using the 4x8mm screws.

6 Feed the power cord through the **Base** and **Bottom Tube**, and pull through around 2.4m / 94.5in of cable.

The size is not correct before. We up-date the size now.



Fully Assembled Diagram



OPERATING

Place the heater on a firm, level surface and plug into a grounded 120V 60Hz power outlet. Only operate the heater when it is in the upright position and the base is attached.

WARNING: Only use the halogen heater on a firm solid horizontal surface where all the feet on the base are in contact with the floor. (Should the heater be tilted or fall over, the auto shut-off switch will activate.)

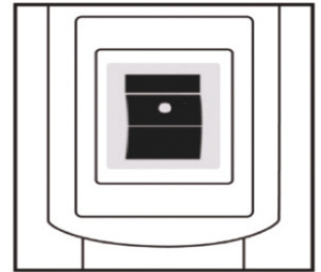
1. Sit the heater outside or in a large open area and well away from any obstructions such as branches or where the heater is near any objects that can be affected by heat, such as furniture, curtains or other flammable objects (minimum distance 1m/3.28ft).
2. Do not use near bath tubs, wash areas or swimming pools.
3. Do not use in unventilated areas.
4. Do not use where gas, paint or other flammable goods are stored.
5. Do not push any items through, obstruct or cover the grill of the heater head.
6. Do not position immediately above or below an electrical socket.
7. Do not move when connected to an electrical supply. Always wait for the patio heater to cool down before storing.
8. Do not touch the heater head when in use.
9. Do not leave the heater unattended when in use, especially when children and or animals are in the vicinity.
10. The indication of the different positions of switches shall be visible from a distance of 1m/3.28ft.
11. The marking concerning covering shall be visible after the heater has been installed. It shall not be replaced on the back of portable heaters.
12. The heater must be placed with a clearance of 101.6cm / 40in to the wall and 30.48cm / 12in to the ceiling.
13. The unit must be correctly installed according to the instructions (see steps 1–6). Make sure the head is at least 1.8m/6ft from the floor.
14. The unit must be securely placed on a horizontal and flat surface.
15. The heater is at high-temperature during operation. It stays hot for a period after shut down. Potential danger would occur when touching it during this period.
16. Don't place the unit close to curtains and/or flammable objects, otherwise there will be a danger of catching fire.
17. DO NOT cover heater with anything during operation or until it has completely cooled.
18. Don't wrap the power supply cord around the heater.
19. The heater must be handled with care, and avoid vibration or hitting.
20. The heater must be securely grounded during operation.
21. If the heater gets damaged, it must be repaired by a professional.
22. When the power supply cord is damaged, it must be replaced by an authorized agent or other professional to avoid danger.
23. When assembling, keep clear from any flammable and combustible material.
24. Not for use by unsupervised children.
25. It is not safe to install the heater by a swimming pool, or in a bathroom / shower area.
26. The heater is for household use only. It is not safe to use on a building site, greenhouse, barn or stable where there's flammable dust.
27. The head of the heater is at high-temperature during operation. Unplug the unit and wait till it cools before cleaning.
28. Don't use the heater in places where causticity or volatile air exists, i.e., dust, steam, gas, etc.
29. Don't use this heater as a cloth or towel dryer.
30. Don't use this heater as a sauna heater.
31. Don't use this heater as a room heater.
32. Don't use this heater in places of animal propagating and raising.
33. Don't immerse this heater into water for cleaning.
34. The heater should be plugged into a socket, which is easily visible and reachable.
35. Two dark points may exist on the surface of the heating elements during the first few minutes after it is turned on. This is normal, and will not affect the performance of the unit.
36. A tilt switch is fitted inside the unit for safety purposes.



PREPARATION

Place this unit on a firm, level surface and plug into a grounded 120V, 60Hz power outlet. Only operate this unit when it is in the upright position and the base is attached. This unit is equipped with one heat setting, **On/Off**.

Although the heater is waterproof, DO NOT use when raining or in wet conditions. Always disconnect the power cable from the electrical supply when the heater is not in use.



CARE AND MAINTENANCE

- Unplug the heater and let it cool completely.
- When disconnected from the electrical supply, clean the outside of the heater with a damp cloth. Never use corrosive or solvent cleaners or immerse in water. Wait until the unit is completely dry before use.
- Any maintenance or repairs including replacing the halogen tube should only be carried out by a competent person.

STORAGE

If the heater is not going to be used for long period of time, store in a cool, dry location. To prevent dust and dirt build-up, use the original packaging to repack the heater.

TECHNICAL SPECIFICATIONS

- Ratings: 120V - 60Hz
- Power Consumption: 1500W
- Height: 205cm / 80.70"
- Net Weight: 10.25kg / 22.59lbs
- Insulation Class I



1 YEAR LIMITED WARRANTY

Customers in the Continental US

All components are warranted for a period of 1 year after date of purchase by the original owner against defects in materials and workmanship under normal use. This warranty does NOT cover normal wear and weathering, assembly and/or maintenance OR use in a commercial application if model is not designated as a commercial model. At Well Traveled Living's sole discretion, products under warranty will be repaired and/or replaced at no charge to the customer. Any returns sent back to Well Traveled Living must be sent via prepaid freight and in the original retail packaging.

For warranty service contact Well Traveled Living at the address, phone numbers or internet site and email listed in this owner's manual. Be sure to have your sales receipt, date of purchase and catalogue/model numbers available when calling. All warranty service will be coordinated by the Well Traveled Living's, Amelia Island, Florida service center.

This warranty is extended only to the original purchaser. Proof of purchase will be required before warranty service is rendered. The sales receipt is the only valid proof of purchase. This warranty only covers failures due to defects in materials or workmanship which occur during normal use. Failures and/or damage which result from accident, negligence, misuse, abuse, neglect, mishandling, alteration or modification, failure to maintain, improper assembly or maintenance, service by unauthorized agency or use of unauthorized components or damage that is attributable to acts of God are NOT covered.

This limited warranty gives you specific legal rights and you may also have other rights which vary from jurisdiction to jurisdiction. The provisions of the United Nations Convention on Contracts for the Sales of Goods shall not apply to this limited warranty or the sale of products covered by this limited warranty.

- THERE ARE NO EXPRESS WARRANTIES EXCEPT AS LISTED ABOVE
- PURCHASER ASSUMES ALL RISKS IN THE ASSEMBLY AND OPERATION OF THIS UNIT
- FAILURE TO FOLLOW WARNINGS AND OPERATIONAL INSTRUCTIONS CONTAINED IN THIS MANUAL CAN RESULT IN SEVERE PROPERTY DAMAGE AND/OR PERSONAL INJURY
- IN NO EVENT WILL WELL TRAVELED LIVING, OR ITS DIRECTORS, OFFICERS OR AGENTS BE LIABLE TO THE PURCHASER OR ANY THIRD PARTY, WHETHER IN CONTRACT, IN TORT, OR ON ANY OTHER BASIS, FOR ANY INDIRECT, SPECIAL, PUNITIVE, EXEMPLARY, CONSEQUENTIAL, OR INCIDENTAL LOSS, COST, OR DAMAGE ARISING OUT OF OR IN CONNECTION WITH THE SALE, MAINTENANCE, USE, OR INABILITY TO USE THE PRODUCT, EVEN IF WELL TRAVELED LIVING OR ITS DIRECTORS, OFFICERS OR AGENTS HAVE BEEN ADVISED OF THE POSSIBILITY OF SUCH LOSSES, COSTS OR DAMAGES, OR IF SUCH LOSSES, COSTS, OR DAMAGES ARE FORESEEABLE. IN NO EVENT WILL WELL TRAVELED LIVING, OR ITS OFFICERS, DIRECTORS, OR AGENTS BE LIABLE FOR ANY DIRECT LOSSES, COSTS OR DAMAGES THAT EXCEED THE PURCHASE PRICE OF THE PRODUCT.
- SOME JURISDICTIONS DO NOT ALLOW THE EXCLUSION OR LIMITATION OF INCIDENTAL OR CONSEQUENTIAL DAMAGES, SO THE ABOVE LIMITATION OR EXCLUSION MAY NOT APPLY TO THE PURCHASER.



Important Notice

Do NOT return to place of purchase—for customer service and warranty issues contact our Customer Service Center at: **(866) 985-7877 9 a.m. – 6 p.m., EST, Monday – Friday**, email us at cservice@welltraveled.net, or go online and live chat at www.wtliving.com.



Distributed By:

Well Traveled Living
716 S 8th Street, Amelia Island, FL 32034
wtliving.com | cservice@welltraveled.net
(866) 985-7877